

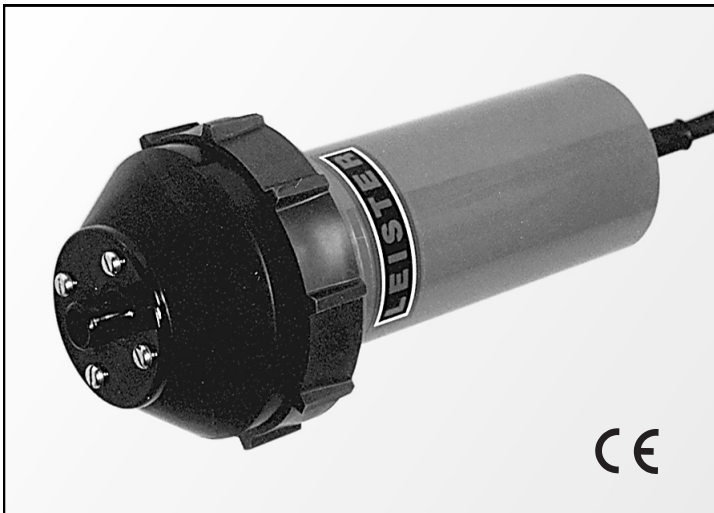
LEISTER Minor High Pressure Blower



Please read operating instructions carefully before use and keep for further reference.

APPLICATION

- The LEISTER Blower «Minor» is suitable for building into machines, installations and appliances. Because of its low weight, the blower can also be used as mobile air supply.
- Air supply for LEISTER Hot Air tools and Hot Air pistols, for intake air supply and for cooling.
- It is suitable for delivering air, non combustible, non corrosive and non explosive gases.





WARNING



Danger! Unplug the tool before opening it, as live components and connections are exposed.



CAUTION



The **voltage rating** stated on the tool should correspond to the mains voltage.



For personal protection, we strongly recommend the tool be connected to an **RCCB** (Residual Current Circuit Breaker) / **GFCI** (Ground Fault Circuit Interrupter) before using it on building sites.



Protect tool from **damp and wet**.

TEST SIGNS



and others

TECHNICAL DATA

Electrical safety double insulated

Design

Voltage	V~
Capacity	W
Frequency	Hz
Air flow	l/min.
Static pressure	Pa
Noise level	dB (A)
Diameter of air outlet (external Ø)	mm
Ambient temperature	°C
Weight	kg
Size (LxBxH)	mm

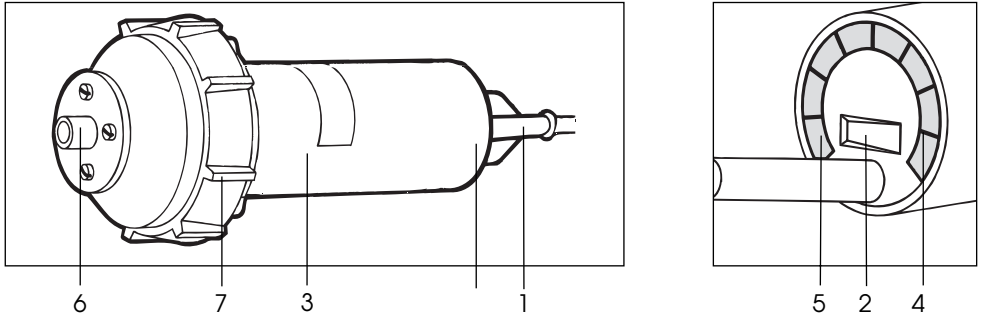
radial compressor

42, 120, 230
90
50/60
max. 400 (manual air slide)
5000
67
14,5
< 60
1,2 with 3 m cord
250 x 95

Mains voltage cannot be switched over

100 Pa = 1 mbar

Description of tool



1. Cord to mains
2. On/off switch
3. Handle
4. Air slide
5. Air filter
6. Air outlet/hose connection \varnothing 14,5 mm
7. Rubber stand

Operation

- Connect air hose to **air outlet (6)** with a clamp or screw band. If possible use short hoses to prevent loss of air flow.
- Connect tool to the mains.
- **Switch on (2).**
- Reduce air flow as required by use of the **air slide (4)**.
- The blower should only take in air at $< 60^{\circ}\text{C}$.

MAINTENANCE

- The tool's **air filter (5)** should be cleaned with a fine brush.

SERVICE AND REPAIR

- The carbon brushes in the motor should be checked by your Service Centre after about 1000 hours running time.
- Repairs should only be carried out by authorised **LEISTER Service Centres**. They guarantee a specialised and reliable **Repair Service within 24 hours** using original spare parts lists.

GUARANTEE AND LIABILITY

- Guarantee and liability are in accordance with the guarantee certificate as well as with the currently valid general business and sales conditions.
- LEISTER Process Technologies rejects any guarantee claims for tools which are not in their original condition. The tools must never be altered or changed.

Technical data and specifications are subject to change without prior notice.

Your authorised Service Centre is: